

Substance

RoHS

WEEE

Lead Free

MATERIAL:

Insulator: 30% Glasses filled in P.B.T. UL-94V-0.

Contact: Brass.

Plated: Full Tin or Gold Plated over Nickel.(Lead Free)

SPECIFICATION:

Contact Resistance: 10MΩ Max. at DC 1A.

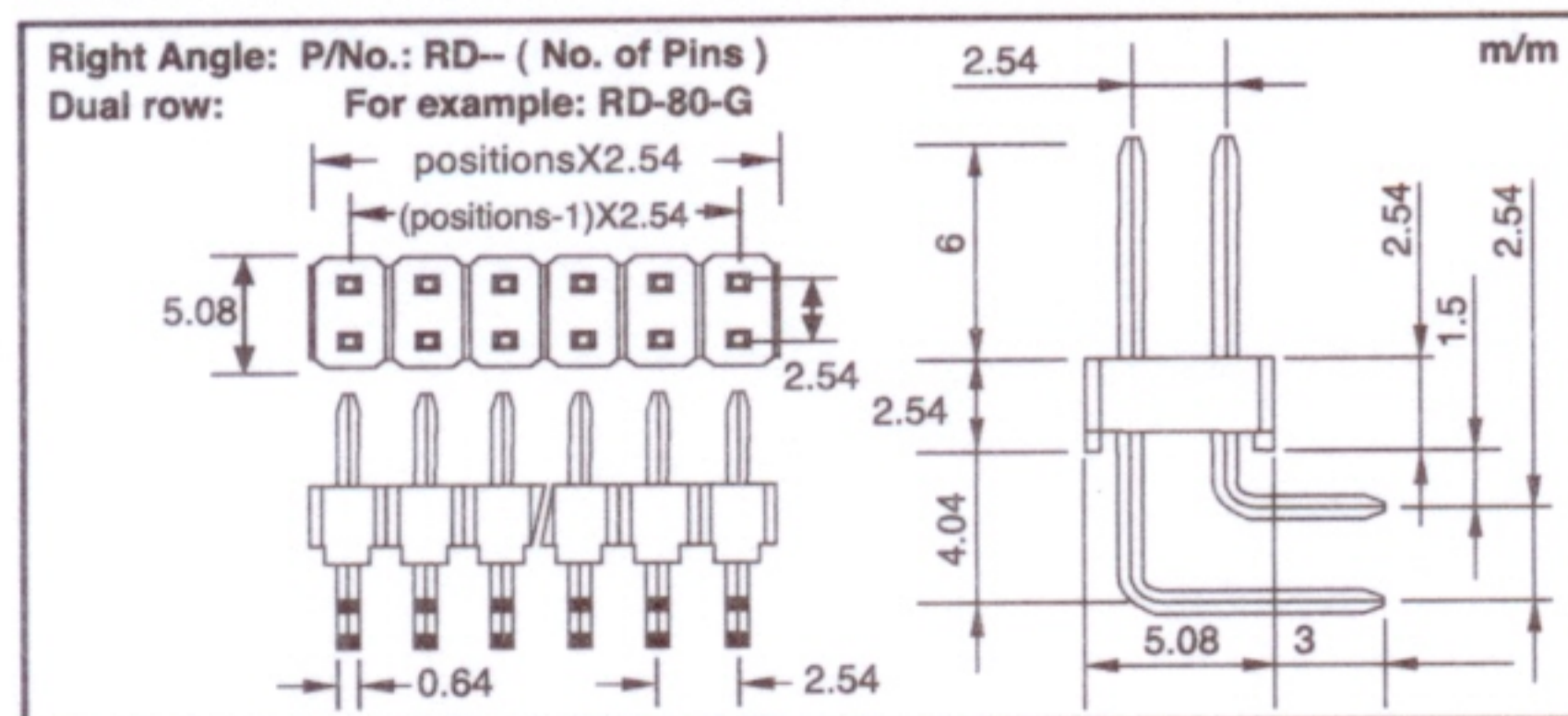
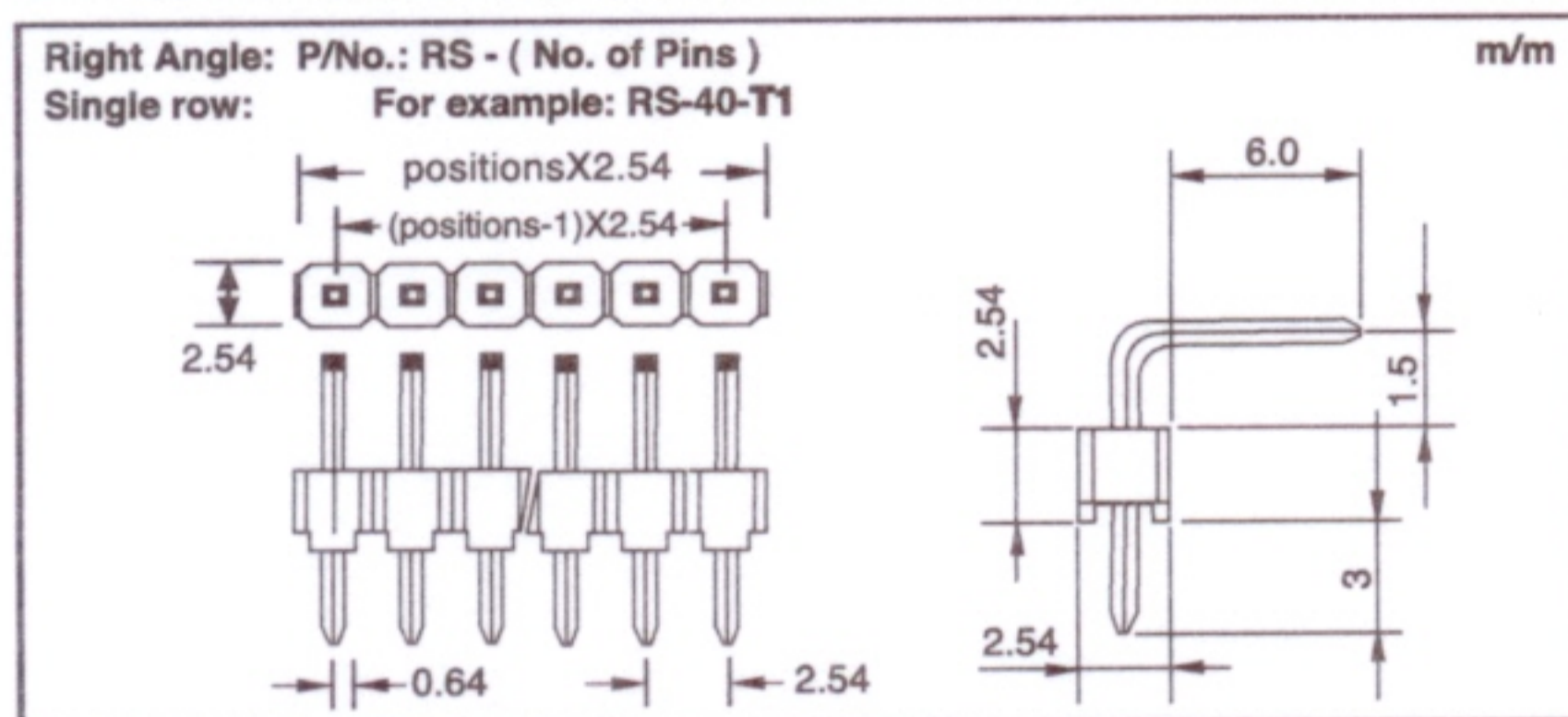
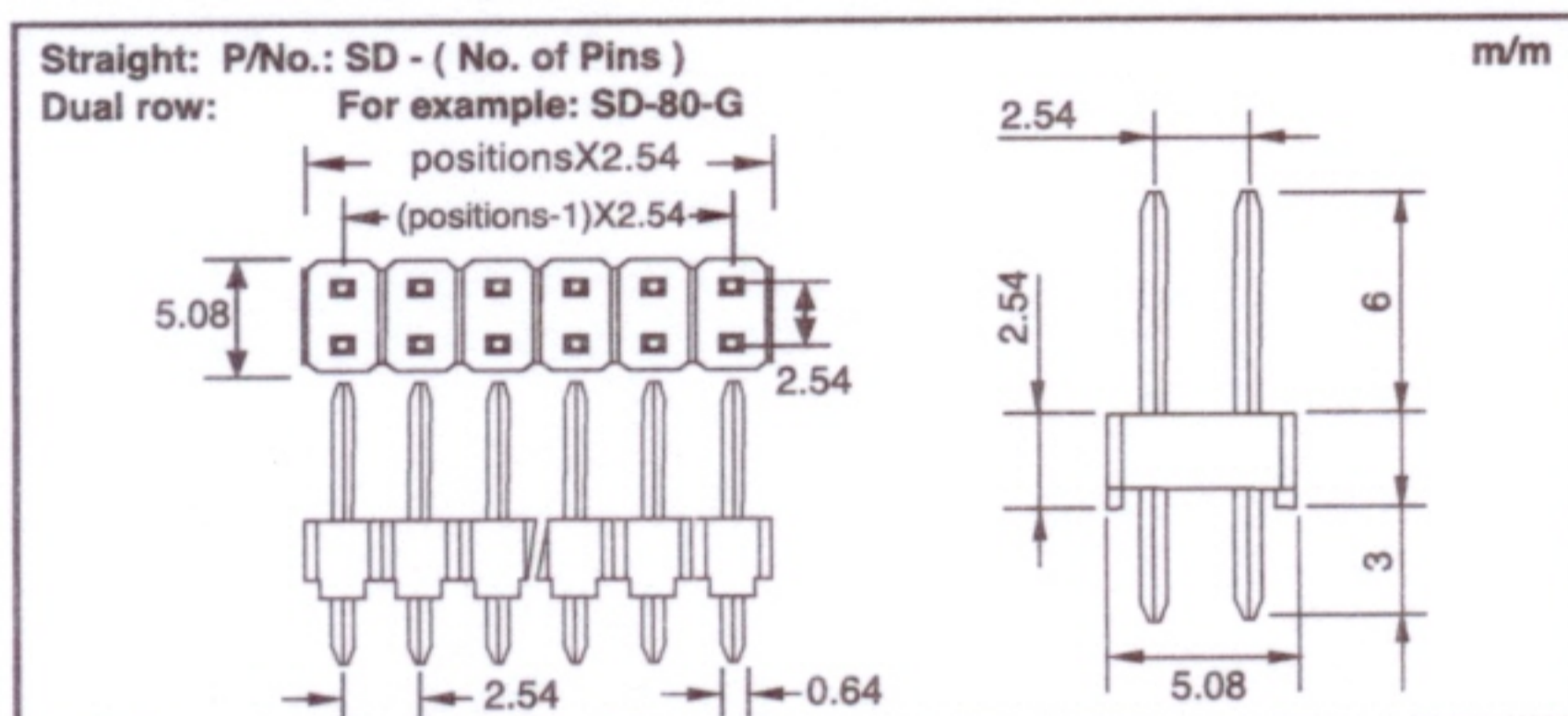
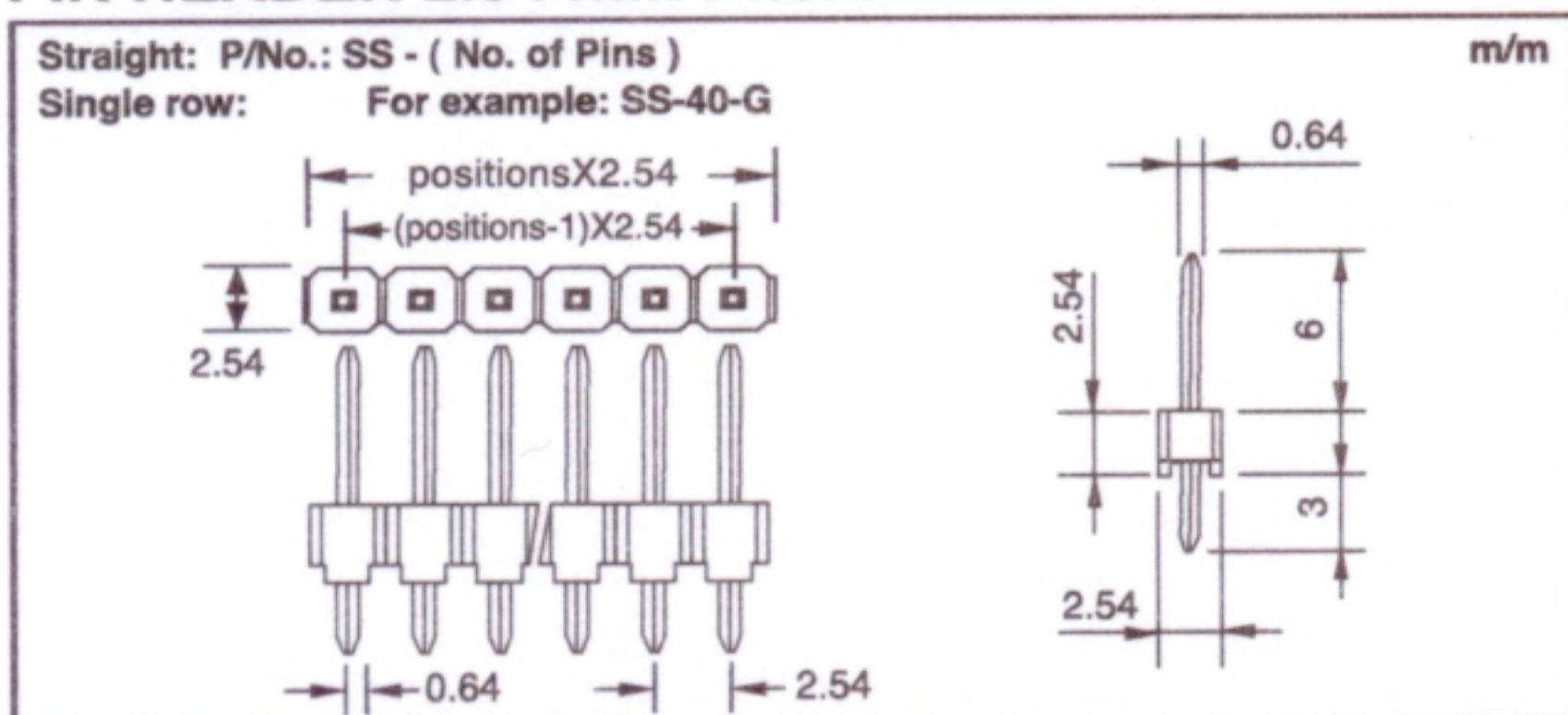
Insulator Resistance: 500MΩ Min. at 500V.

Current Rating: 1A Dielectric Withstanding.

Voltage Rating: AC 5000 for one minute.

Operating Temperature: -55°C to +105°C.

PIN HEADER 2.54 mm Pitch.



Ordering Information: For example: SD-40-G, RS-40-T1

SS - (No. of Pins) - (G or T1)

SD - (No. of Pins) - (G or T1)

RS - (No. of Pins) - (G or T1)

RD - (No. of Pins) - (G or T1)

■G: Full Gold Plated

■T1: Full Tin Plated (Lead Free).

■SS: Straight, Single row. ■RS: R/A, Single row.

■SD: Straight, Dual row. ■RD: R/A, Dual row.

FEATURES:

■Low Profile Header body helps maximum packing.

■Available with Wrap post tail header

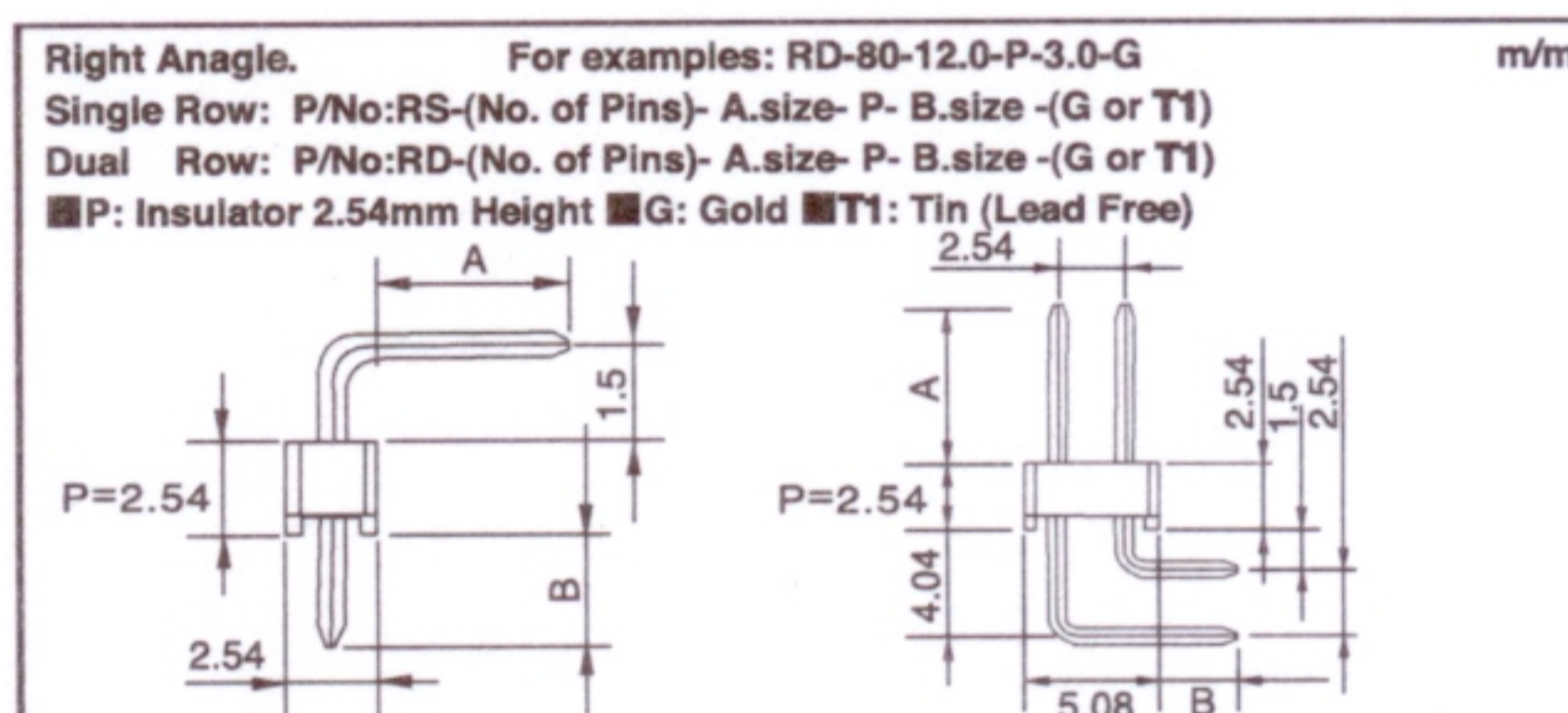
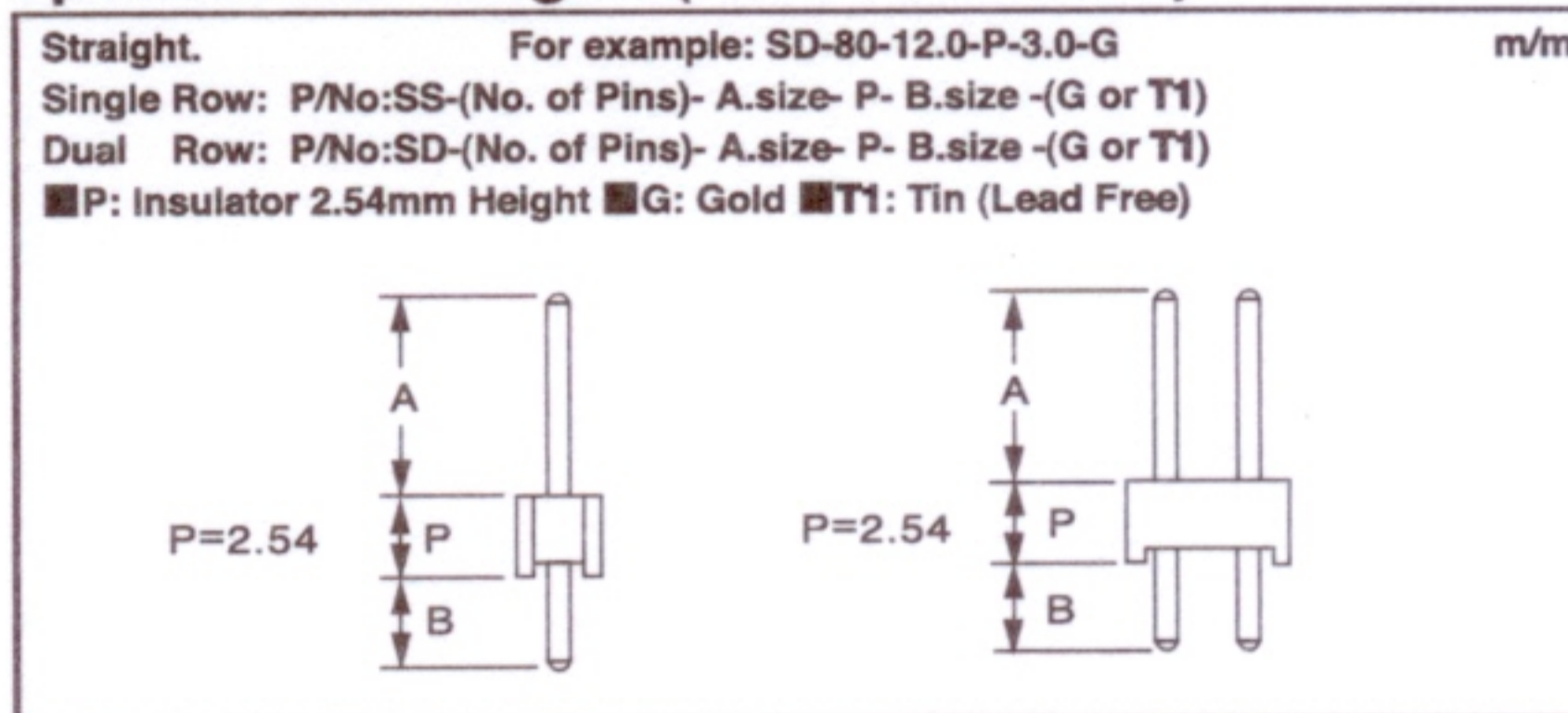
■Available with Straight or Right Angle pins.

■Available with Customer Design and Dual body.

■Pin Header suitable for mating with 2.54mm Pitch Female Header.

■2.54mm pitch used 0.64mm square pins.

Special Pins Length: (2.54 mm Pitch)



Straight, Dual Body (2 Insulators)

Single Row: For example: SS-40-6.0-P-8.0-P-3.0-G
P/No: SS-(No. of Pins) - A.size- P - B.size- P - C.size - (G or T1)

Dual Row: For example: SD-80-6.0-P-8.0-P-3.0-G
P/No:SD-(No. of Pins) - A.size- P - B.size- P - C.size - (G or T1)

■P: Insulator 2.54mm Height ■G: Gold ■T1: Tin (Lead Free)

